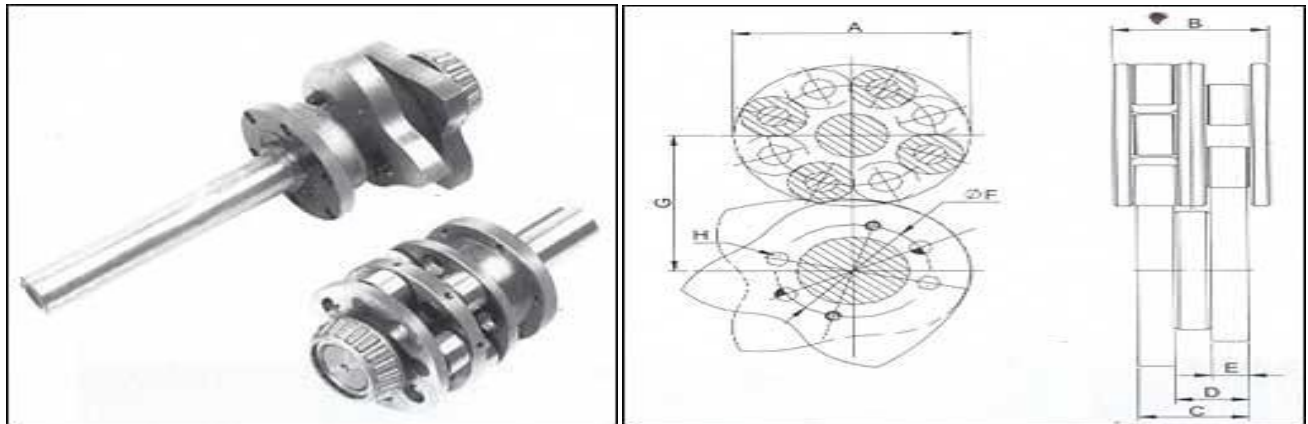
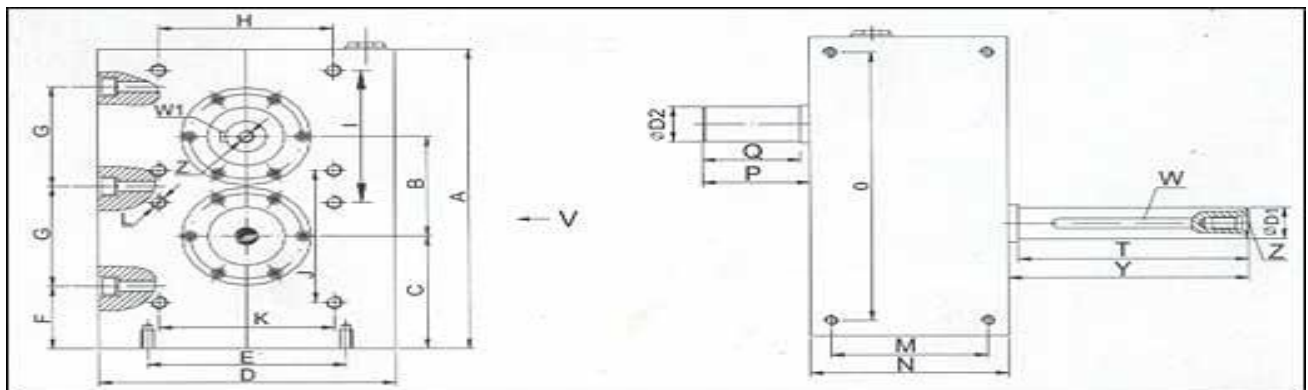




MOUNTING DIMENSIONS



Series	A	B	C	D	E	F	G	H
65NS	68	47	28	19	9	45	65	M6 × 30
80NS	84	55	39	26	13	70	80	M5 × 45
105NS	105	80	48	32	16	70	105	M8 × 55
130NS	130	88	62	40	22	74	130	M8 × 55



Series	A	B	C	D	E	F	G	H	I	J	K	L
65NS	190	65	70	140	80	37.5	65			90	90	M8
80NS	240	80	90	180	120	50	80			160	160	M10
105NS	300	105	105	210	115	52.5	105	100	100	124	124	M10
130NS	370	130	130	360	180	65	130	155.5	155.5	153	153	M12

Series	M	N	O	P	Q	T	Y	D1(h6)	D2(h6)	W	W1	Z
65NS	80	95	175	41	40		98	18	19	C6 × 63	C6 × 36	M6 × 22
80NS	95	120	215	65	60	140	145	25	28	C8 × 110	C8 × 50	M10 × 22
105NS	115	150	265	85	80		180	35	30	C8 × 110	C8 × 70	M10 × 22
130NS	144	180	334	115	110	205	210	42	42	C12 × 180	C12 × 100	M16 × 36

We are the manufactures of 180 Degree Cam Indexing Device with Two Starts.